

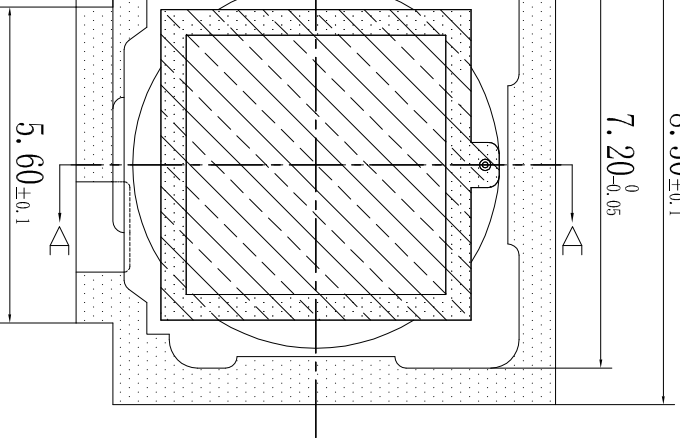
Capture Direction

8.50 \pm 0.1

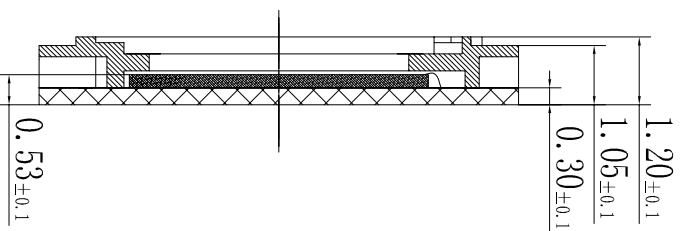
7.20 \pm 0.05

8.50 \pm 0.1

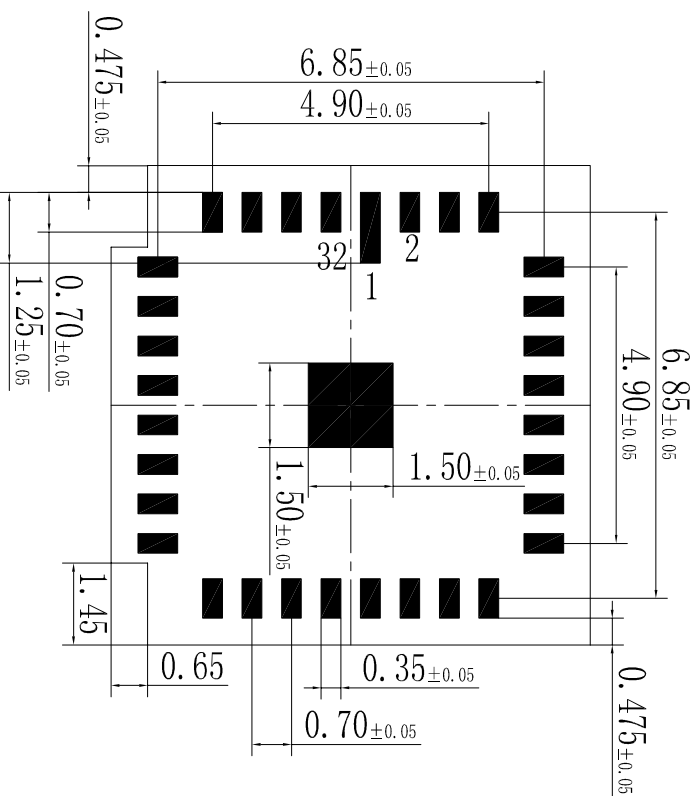
7.20 \pm 0.05



TOP VIEW



SIDE VIEW



BOTTOM VIEW

PLCC parameter

感光芯片 (Chip Type)	GC8024	遮光片 (IR TYPE)	650 \pm 10nm
像素 (Array Size)	3264x2448	驱动 (Driver IC)	9714
镜头类型 (Lens Size)	1/4inch	镜头 (Lens)	1、
模拟电路电压 (AVDD)	2.8V		2、
数字电路电压 (DVDD)	1.2V		3、
接口电路电压 (DDVDD)	1.8V or 2.8V		

1.1	
1.0	Preliminary outline design
REV.	DISCRPTION
	BY
	DATE

安徽昌硕光电
科技有限公司
Anhui Jiangnan industry area A5
building

Tel:+86-566-3392899
Fax:+86-566-3392898



Prepared by: Wenjiao Li
Checked by: Lizhong Wei
Approved by: Qian Lu

DATE:161024

DATE:161024

DATE:161024

TOLERANCES UNLESS OTHERWISE SPECIFIED
PRINT TO DIE CUT OVER ALL
CAMERA MODULE
SCALE: 1:1
PART TYPE: GC8024 PLCC 32Pin
CUSTOMER

ALL DIMENSIONS IN: mm

SHEET 1 OF 1

NO.	SIGNAL
1	DGND
2	VDDIO
3	DGND
4	DVDD
5	MDV0
6	MDP0
7	DGND
8	MDV1
9	MDP1
10	DGND
11	MCN
12	MCP
13	MDP3
14	MDN3
15	DGND
16	MDP2
17	MDV2
18	NC
19	AF_GND
20	AF_VDD
21	SDA
22	SCL
23	IOUT
24	AF_EN
25	AGND
26	AVDD
27	AGND
28	PMDN
29	RESETB
30	FSTYC
31	DGND
32	MCLK